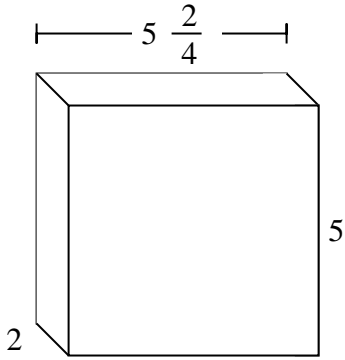


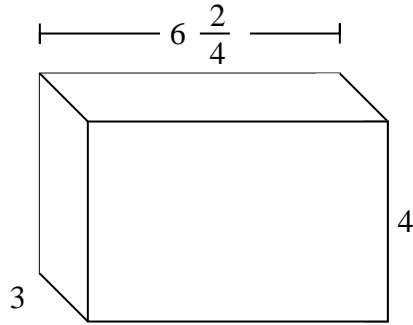


Fill each rectangular prism with cubes to determine the volume. Each prism's unit is measured in cm (not to scale).

Ex)



1)

Ex. 55 cm

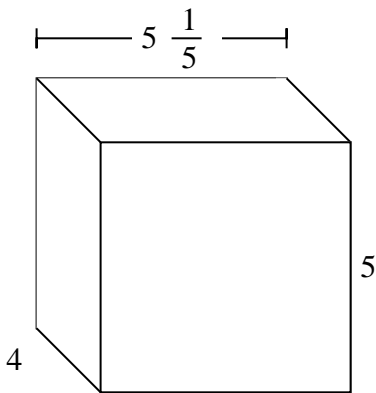
1. \_\_\_\_\_

2. \_\_\_\_\_

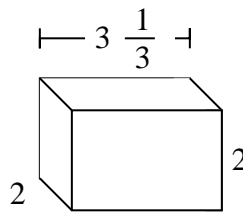
3. \_\_\_\_\_

4. \_\_\_\_\_

2)



3)

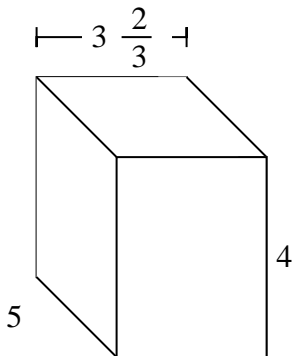


5. \_\_\_\_\_

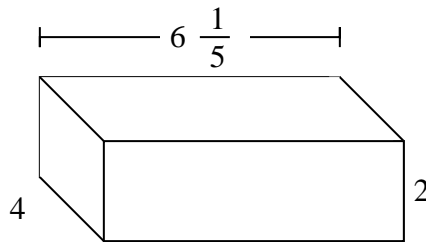
6. \_\_\_\_\_

7. \_\_\_\_\_

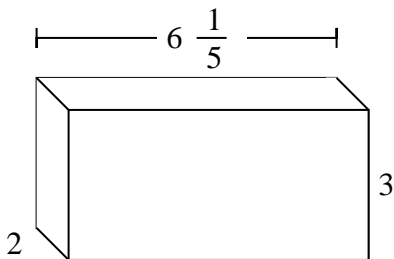
4)



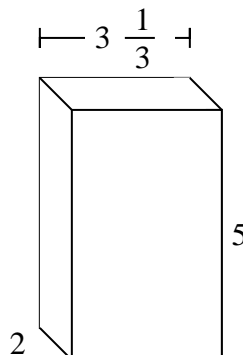
5)



6)

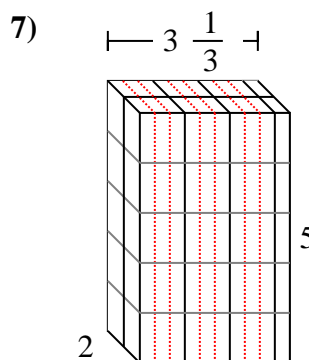
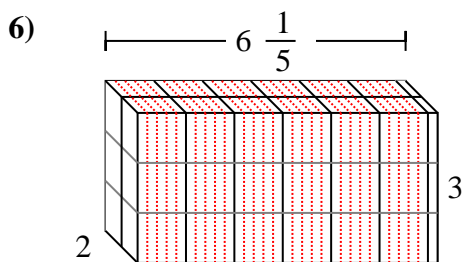
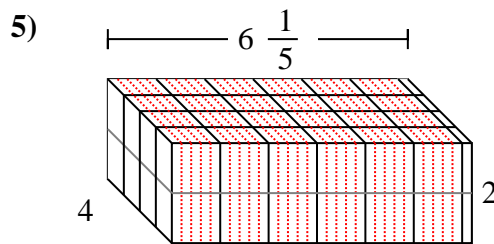
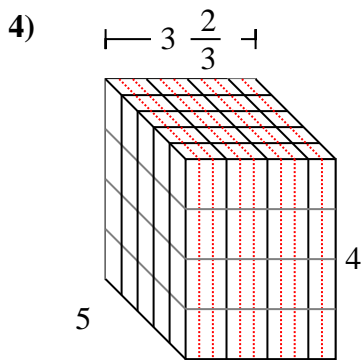
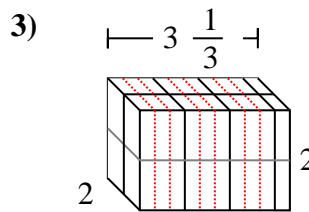
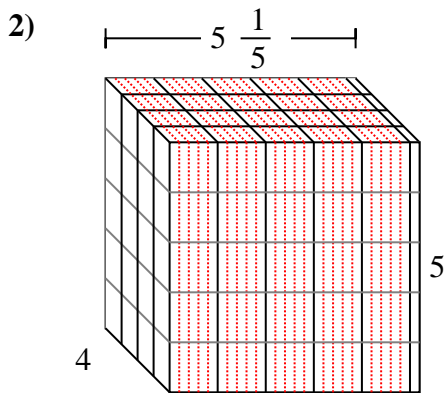
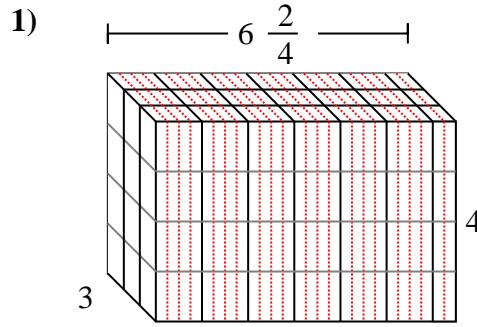
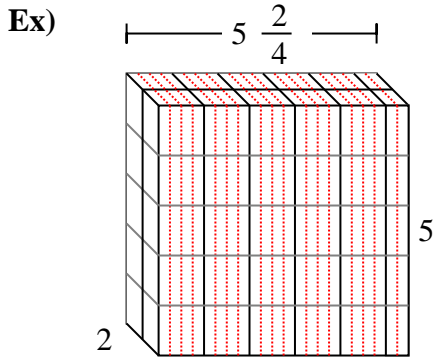


7)





Fill each rectangular prism with cubes to determine the volume. Each prism's unit is measured in cm (not to scale).

AnswersEx. 55 cm1. 78 cm2. 104 cm3. 13 1/3 cm4. 73 1/3 cm5. 49 3/5 cm6. 37 1/5 cm7. 33 1/3 cm