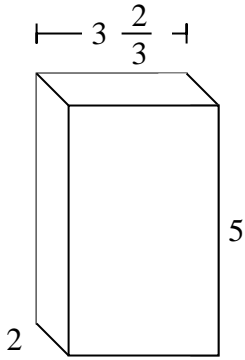


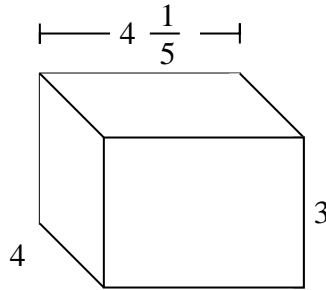


Fill each rectangular prism with cubes to determine the volume. Each prism's unit is measured in cm (not to scale).

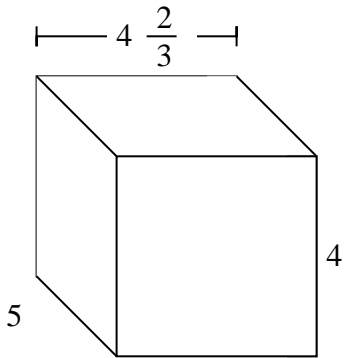
Ex)



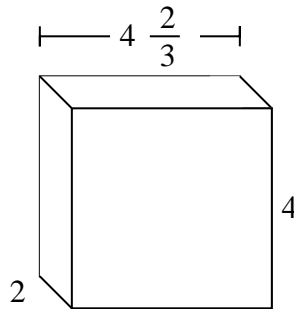
1)



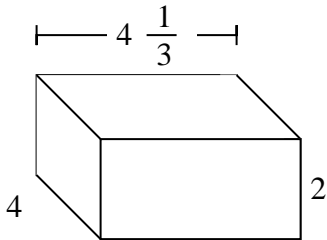
2)



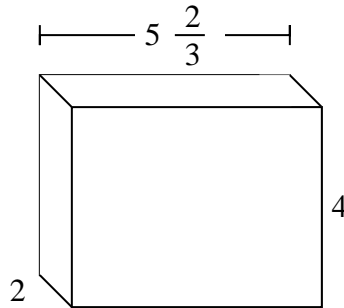
3)



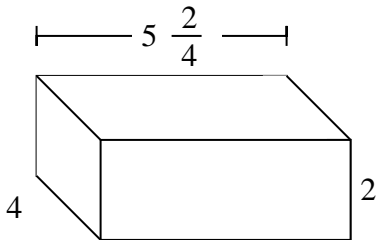
4)



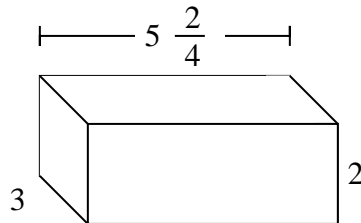
5)



6)



7)

AnswersEx. $36\frac{2}{3}$ cm

1. _____

2. _____

3. _____

4. _____

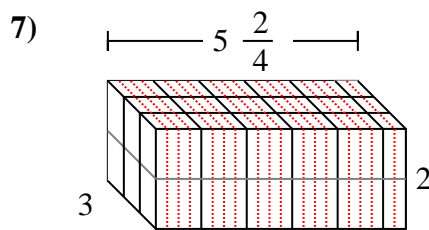
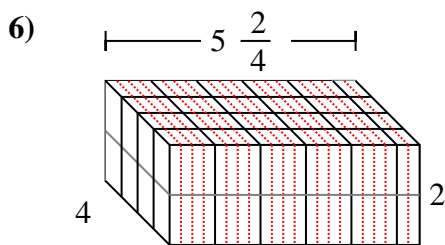
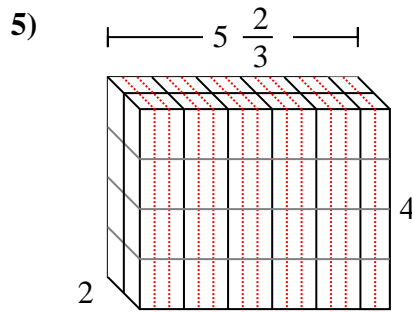
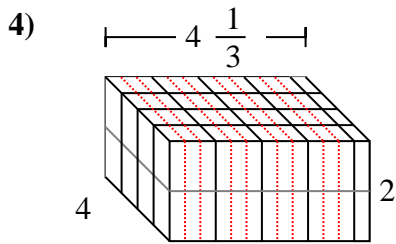
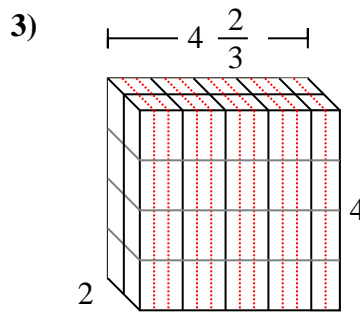
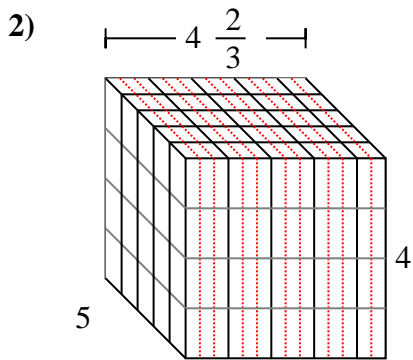
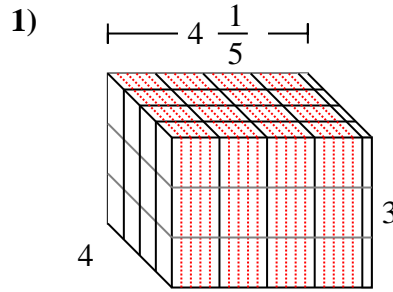
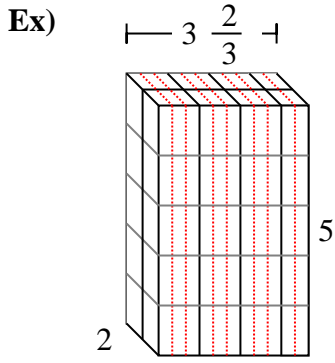
5. _____

6. _____

7. _____



Fill each rectangular prism with cubes to determine the volume. Each prism's unit is measured in cm (not to scale).

Answers

- Ex. $36 \frac{2}{3}$ cm
1. $50 \frac{2}{5}$ cm
2. $93 \frac{1}{3}$ cm
3. $37 \frac{1}{3}$ cm
4. $34 \frac{2}{3}$ cm
5. $45 \frac{1}{3}$ cm
6. 44 cm
7. 33 cm